

Weatherproof Fluorescents



Bardic has a complete range of fluorescent weatherproof fittings in 10, 18 and 36 watt. The 10 Watt is designed to utilise either a Exit or Emergency diffuser.

The 18 and 36 Watt has a standard Emergency diffuser.

Designed to withstand the harshest environmental and weather conditions luminaire bodies are manufactured from fibre glass reinforced polyester for 18 and 36 Watt (IP66) models, and polycarbonate for 10 Watt (IP67) models.

Features

- Designed and tested to comply with AS/NZS 2293
- Automatic battery low voltage cut-out to prevent overdischarge of the battery
- Dual Rate charger
- High temperature Nicad batteries
- High temperature components for extended life
- Red L.E.D. indicates a healthy A.C. mains supply and functioning charger
- Test switch to test the emergency operation while A.C. mains is healthy
- Internal switch link in M and S models to permit connection of an external switch to control the mains operated lamp without affecting the emergency operation

10, 18 & 36 WATT WEATHERPROOF FLUORESCENT SPECIFICATION

AUSTRALIA

Victoria

9 Mosrael Place, Rowville,
Victoria 3178
Tel: (613) 9763 0555
Fax: (613) 9763 0577

New South Wales

6/380 Eastern Valley Way,
Chatswood, NSW 2067
Tel: (61-2) 9882 1999
Fax: (61-2) 9882 3999

South Australia

89A Grange Road,
Allenby Gardens, SA 5007
Tel: (618) 8340 4081
Fax: (618) 8340 1484

Queensland

433 Logans Road,
Stones Corner, QLD 4120
Tel: (617) 3394 8249
Fax: (617) 3394 6115

Western Australia

61B Burnistan Street,
Scarborough, WA 6019
Tel: (618) 9245 1121
Fax: (618) 9245 1510

NEW ZEALAND

Auckland

Unit B 237 Bush Road,
Albany, Auckland
Tel: (649) 415 6615
Fax: (649) 415 8160

Wellington

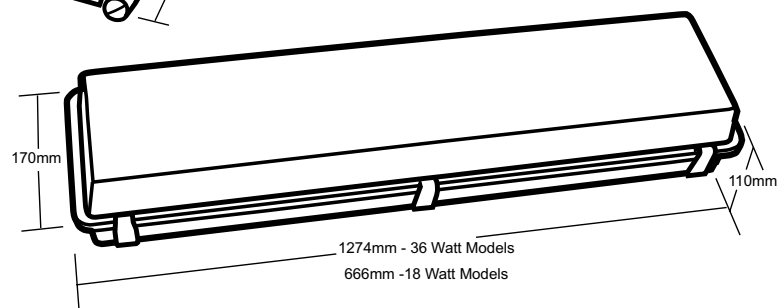
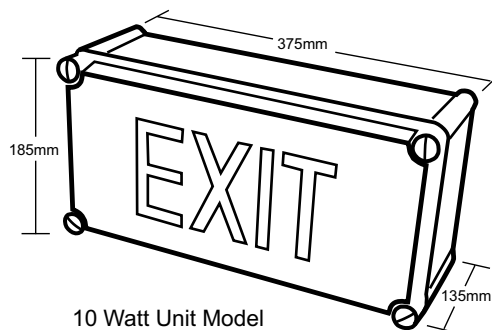
Unit 7 30-32 Downer Street,
Lower Hutt, Wellington
Tel: (04) 586 6188
Fax: (04) 586 6088

Christchurch

8 Kirkdale Place,
Avonhead, Christchurch
Tel: (03) 358 8444
Fax: (03) 358 8446

	M10NSWP	NM10NSWP	NM20NSWP	S20NSWP	NM40NSWP	S40NSWP
Function	Maintained 10W	Non Maintained 10W	Non Maintained 20W	Sustained 20W	Non Maintained 40W	Sustained 40W
Battery	High temp Nicad	High temp Nicad	High temp Nicad	High temp Nicad	High temp Nicad	High temp Nicad
Emergency duration after a 16 Hour recharge on commissioning	2 Hour Minimum	2 Hour Minimum	2 Hour Minimum	2 Hour Minimum	2 Hour Minimum	2 Hour Minimum
Power Consumption	14VA	10VA	10VA	100VA	10VA	110VA
Input Voltage	240VAC					
Frequency	50 Hz					
Environment	Indoor / Outdoor					
Standards	AS / NZS 2293					
Body Construction	Polycarbonate – Grey			Fibre Glass Reinforced Polyester – Grey		
Diffuser Construction	Polycarbonate – Clear					
IP Classification	IP67			IP66		
Charger	Dual Rate					
Sentinel Compatible	Yes					
Weight	2.8kg	2.8kg	4.25kg	4.25kg	5.8kg	5.8kg
Length	375mm		666mm		1274mm	
Width	185mm		170mm			
Depth	135mm Over Diffuser		110mm Over Diffuser			

Please note that the diffusers for the 10W models must be selected from the Trade Price List.



Key No. APD 2/02/02

Note:

Design and/or specifications
subject to change without notice.



ABN 9605 1792 833